

The Binder Clip

The Binder Clip

**Designed 1911 by Louis E Baltzley
Washington, USA**

**Originally produced by L.E.B. Manufacturing Company
Currently produced by the millions in China**

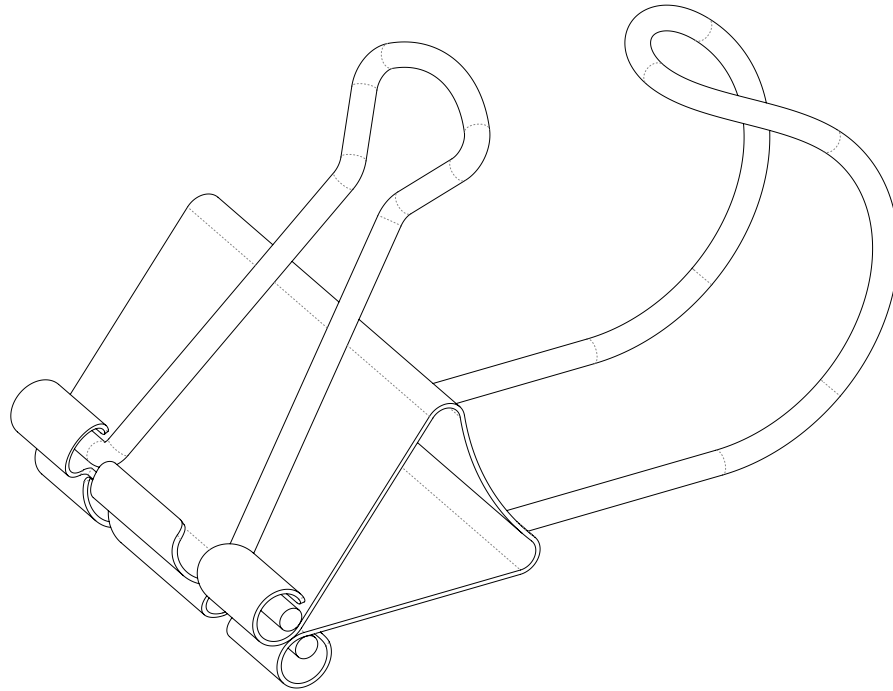
**The binder clip provides the utility of trapping various amounts of paper together,
without damage, and temporarily.**

It is minimal, smart in its assembly, and modern.

Also, the binder clip has made itself useful in many other instances outside the office.

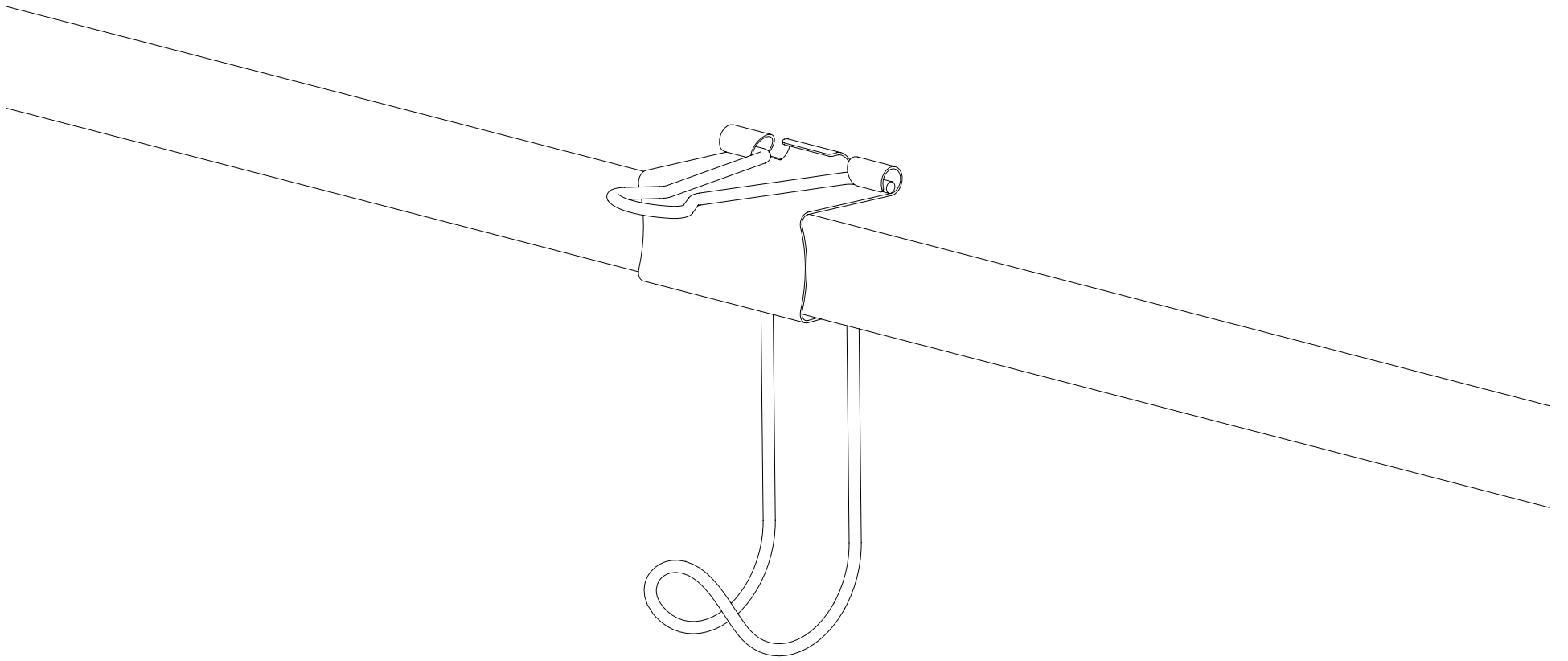
Proposal:

**an alternate handle that can be inserted into the existing binder clip
and adapt its utility into a temporary and mobile hook**

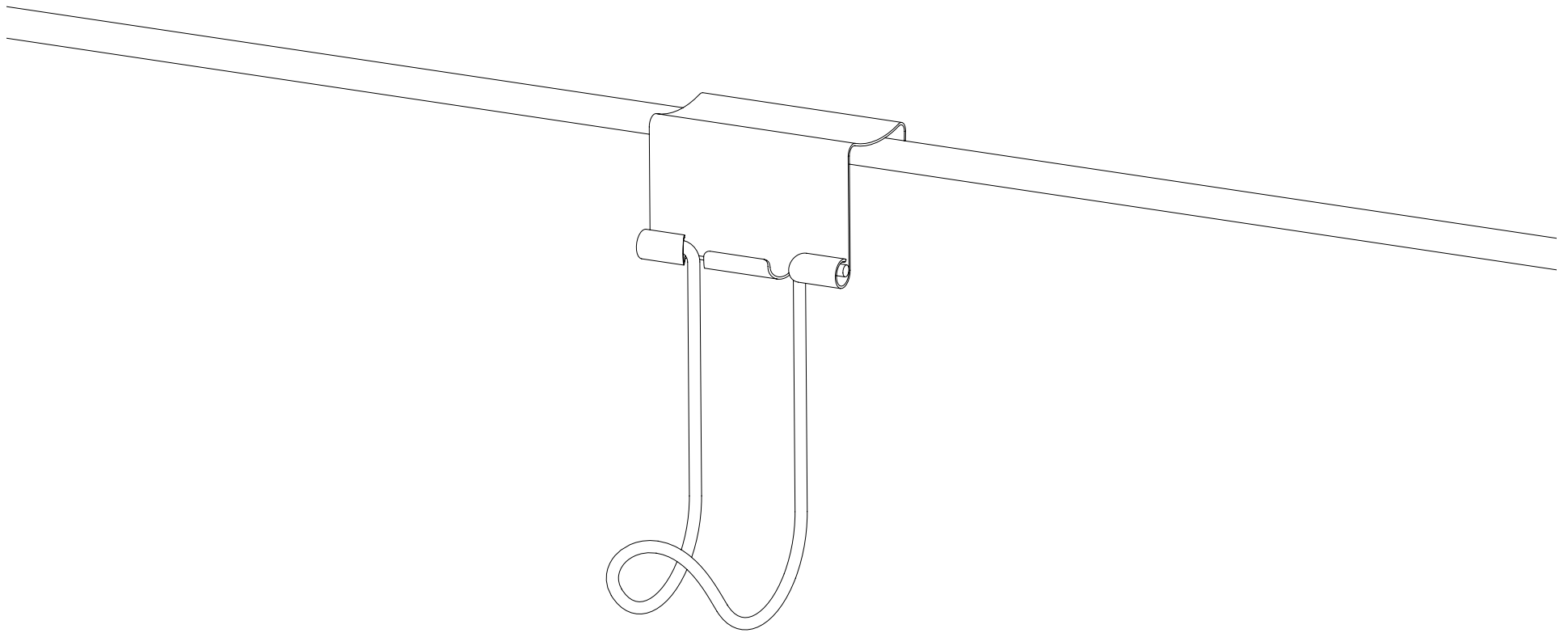


Proposal

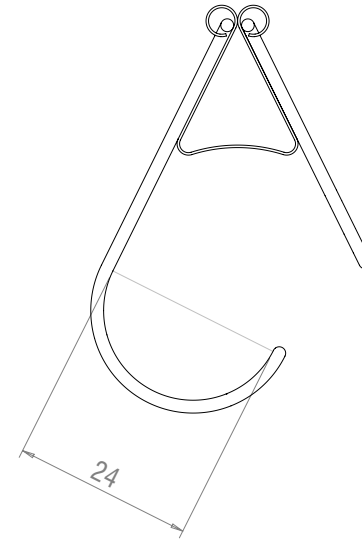
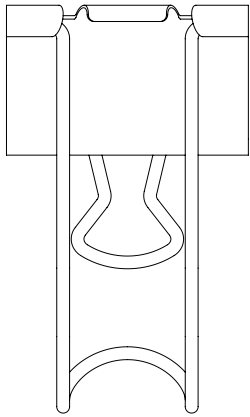
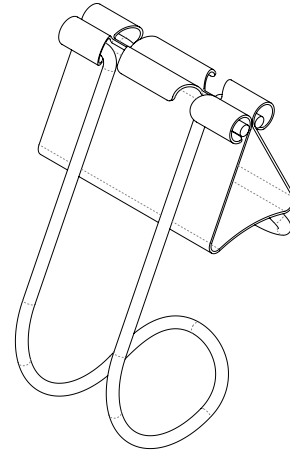
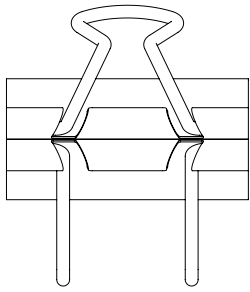
Clip Hook

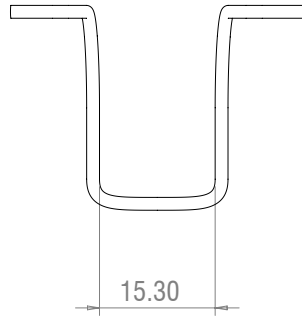


attached to a table or a shelf

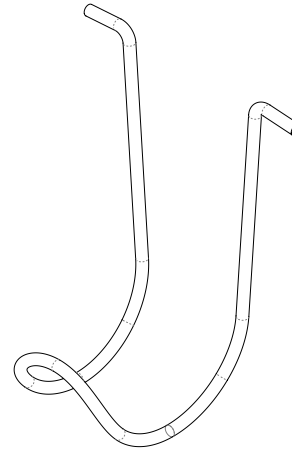


attached to a divider or low wall

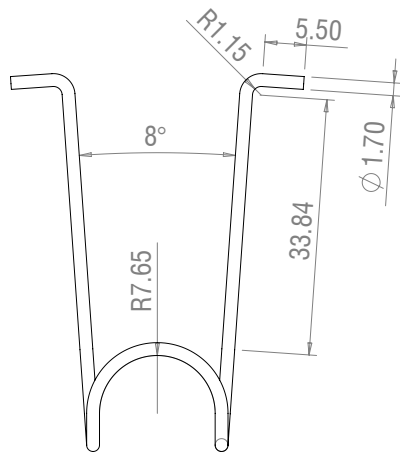




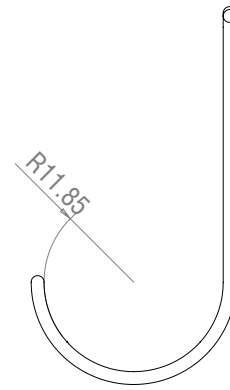
TOP



ISO



FRONT



RIGHT